



## AdaptaBeacon® Explosionproof Steady-On Lights

### *Diode Polarized, Marine Rated* **116DEXSINH-GW Series**

#### FEATURES

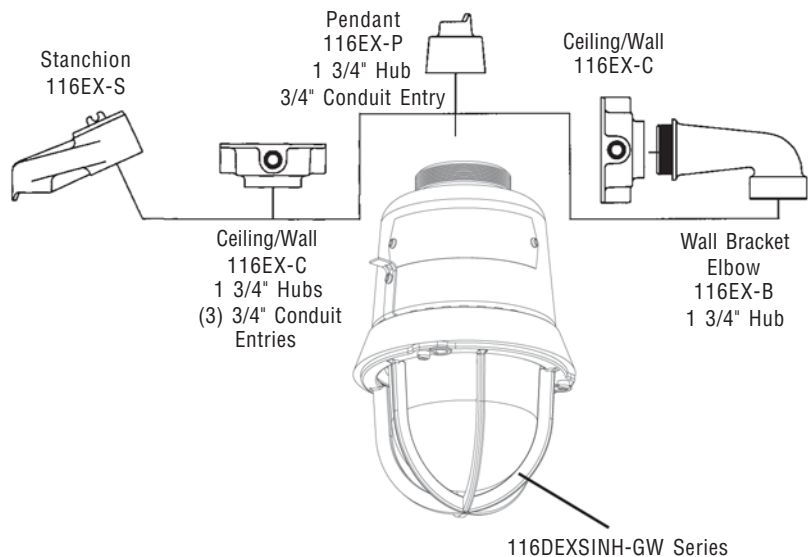
- > Bracket, ceiling, pendant or stanchion mount
- > Diode polarized for use in electrically supervised circuits
- > High impact glass dome, dome guard included
- > 20W halogen bulb
- > Factory sealed - no external seals required
- > Quick connect - threads onto mounting module for easy installation
- > Shock absorbing receptacle
- > Easy to assemble & relamp
- > Gaskets seal out dirt & moisture
- > Epoxy powder coat for corrosion resistance

Edwards Explosionproof AdaptaBeacon Steady-On Lights are designed for installation in hazardous location environments. Rigid specifications and state-of-the-art technology provide for high visual output and low maintenance. The units are UL Listed for Type 3R, Type 4X and marine installations.

Models are available for pendant, wall, ceiling and stanchion mounting.

Typical industrial and commercial applications include: food processing plants, refineries, mines, tankers, laboratories, sewage treatment plants, off shore oil rigs, water and filtration plants, and chemical plants.

#### FAMILY TREE

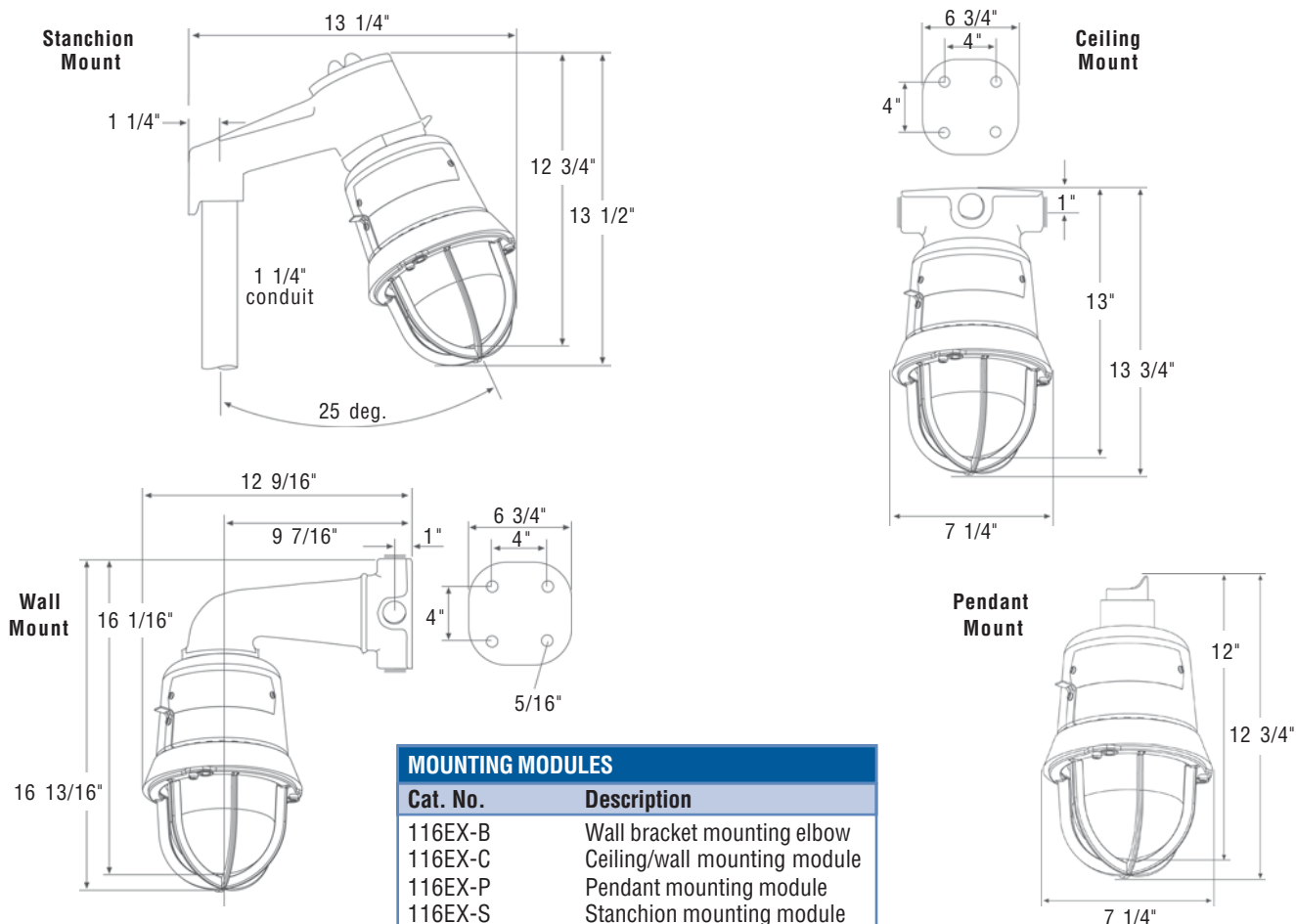


#### AGENCY APPROVALS

- > UL 1638 & 1203 Listed
- > cUL Listed C22.2 No. 205
- > NEMA Type 3R & Type 4X Rated
- > Marine UL Listed Cat. UXUB
- > Marine UL 1598A Listed
- > UL Listed Class I, Div. 1 & 2



## TECHNICAL INFORMATION



MOUNTING MODULES	
Cat. No.	Description
116EX-B	Wall bracket mounting elbow
116EX-C	Ceiling/wall mounting module
116EX-P	Pendant mounting module
116EX-S	Stanchion mounting module

Cat. No.	Lens Color	Electrical Rating	Replacement Inner Lens	Replacement Dome	Dome Guard	Replacement Bulb	Peak Candlepower
116DEXSINHR-GW	Red	24 - 28V DC	116-RIN-LR	116-Globe	116-GRD	50LMP-20WH	2838
116DEXSINHA-GW	Amber	0.8 Amp**	116-RIN-LA			20W Halogen Bulb	
116DEXSINHB-GW	Blue		116-RIN-LB			25,000 hours*	
116DEXSINHG-GW	Green		116-RIN-LG				
116DEXSINHM-GW	Magenta		116-RIN-LM				
116DEXSINHC-GW	Clear		116-RIN-LC				

\*Projected lamp life based on manufacturer's calculated lamp life at 65 fpm and 50% duty cycle.

\*\*Replacement Circuit 116SINH-GW-SA

## HAZARDOUS LOCATION LISTINGS

Ambient Temp.	Supply Wire Temp. Marking	Operating Temperature			
		Class I, Div. 2 Groups A, B	Class I, Div. 1 & 2 Groups C, D	Class II & III, Div. 1 Groups E, F, G	Class II & III, Div. 2 Group G
40°C	75°C	T3 (200°C)	T6 (85°C)	T4A (120°C)	T4A (120°C)
55°C	90°C	T3 (200°C)	T6 (85°C)	T4 (135°C)	T4 (135°C)
65°C	105°C	T2D (215°C)	T6 (85°C)	T4 (135°C)	T4 (135°C)